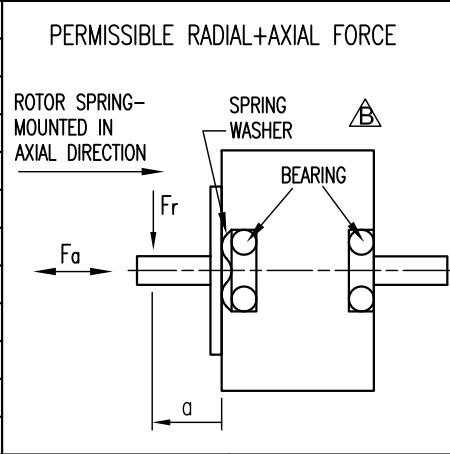


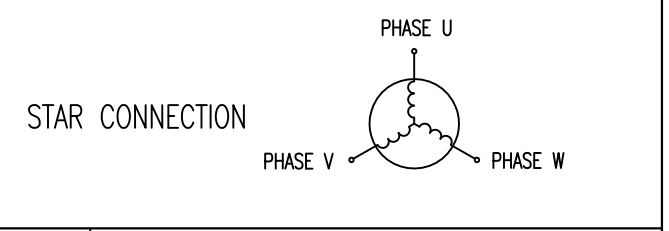
SPECIFICATION	CONNECTION	STAR
NO. OF POL./PHASE		16/3
VOLTAGE RATED (VDC)		24
NO LOAD CURRENT (A)		<0.5 Δ
CURRENT RATED/PEAK (A)		3.26/ 9.5
RESISTANCE/PHASE TO PHASE (Ohms) @20°C		0.56 $\pm 10\%$ Δ
INDUCTANCE/PHASE TO PHASE (mH) @1KHz		0.27 $\pm 20\%$ Δ Δ
TORQUE RATED/PEAK (Nm) [lb-in]		0.13/0.39 [1.15/3.45]
TORQUE CONSTANT (Nm/A)/BACK-EMF (Vrms/kRPM)		0.0369/ 2.75
POWER RATED (W)		65
SPEED RATED/NO LOAD (RPM)		4840/6100
ROTOR INERTIA (Kg-m ²) [lb-in ²]		1.81x10 ⁻⁵ [0.0618]
WEIGHT (Kg) [lb]		0.15 [0.33]



WIRING DIAGRAM

	FUNCTION	Dir. \longleftrightarrow					
MOTOR 16 POL.	U	X	HI	HI	X	LOW	LOW
	V	HI	X	LOW	LOW	X	HI
	W	LOW	LOW	X	HI	HI	X
HALL 48 Impl. REV.	+5V						
	H1	0	0	0	1	1	1
	H2	0	1	1	1	0	0
	H3	1	1	0	0	0	1
	GND						

TEMPERATURE RISE: MAX.80°C	AXIAL-FORCE Fa (N)	Fa=10 max.
AMBIENT TEMPERATURE -20~ 50°C Δ	DISTANCE a (mm)	10
INSULATION RESISTANCE 100 MOhm (UNDER NORMAL TEMPERATURE AND HUMIDITY)	RADIAL-FORCE Fr (N)	28 max.
INSULATION CLASS B 130° [266°F]		AXIAL RADIAL
DIELECTRIC STRENGTH 500VAC FOR 1 MIN. (BETWEEN THE MOTOR COILS AND THE MOTOR CASE)	SHAFT PLAY (mm)	0.14 0.02
AMBIENT HUMIDITY MAX. 85% (NO CONDENSATION)	AT LOAD MAX: (N)	4 4



2	CHANGE AMBIENT TEMP.	16.01.15	J.D.	 Nanotec PLUG & DRIVE DF45L024048-A	SCALE FREE	APVD	G.S.	17.07.13	BRUSHLESS DC MOTOR
1	UPDT. DATA	17.10.14	J.D.		X ± 0.5	CHKD			
F	NOTE SUPPLEMENTED	06.08.14	A.S.		1PL ± 0.2	DRN	A.S.	16.07.13	
REV	DESCRIPTION	DATE	APVD		2PL ± 0.1	SIGNATURE		DATE	